

ILLINOIS AFRICAN AMERICAN WOMEN INVENTORS 1885-2004

Compiled by Margaret J. Collins
Library Program Specialist
Patent and Trademark Depository Library
Illinois State Library

AURORA

Annetta T. Owens, et al., was granted United States Patent Number 4,791,662, on December 13, 1988, for "Controlling Key-System Groups From a Distributed Control Switching System."

United States Patent [19]

Ahnen et al.

[11] **Patent Number:** 4,791,662

[45] **Date of Patent:** Dec. 13, 1988

[54] **CONTROLLING KEY-SYSTEM GROUPS FROM A DISTRIBUTED CONTROL SWITCHING SYSTEM**

[75] **Inventors:** David J. Ahnen, Aurora; Charles O. Akanbi, Chicago; Ian D. Bruce, Winfield; Jacqueline C. Kramer, Warrenville; Carolyn D. Larson; Wei-Chen Ni, both of Naperville; Annetta T. Owens, Aurora, all of Ill.

[73] **Assignee:** American Telephone and Telegraph Company, AT&T Bell Laboratories, Murray Hill, N.J.

[21] **Appl. No.:** 77,531

[22] **Filed:** Jul. 23, 1987

[51] **Int. Cl.⁴** H04Q 5/20; H04M 3/56

[52] **U.S. Cl.** 379/269; 379/274

[58] **Field of Search** 379/156, 159, 160, 165, 379/166, 158, 219, 225, 269, 274

[56] **References Cited**

U.S. PATENT DOCUMENTS

3,643,032	2/1972	Ulrich et al.	179/18 ES
3,860,761	1/1975	O'Neill, Jr.	179/18 J
4,256,526	3/1981	Pitroda et al.	179/18 ES
4,259,549	3/1981	Stehman	179/18 ES
4,317,962	3/1982	Cox et al.	179/18 ES
4,322,843	3/1982	Beischer et al.	370/63
4,339,533	7/1982	Ahmed	179/99 M
4,340,776	7/1982	Ganz et al.	178/3
4,421,955	12/1983	Mori et al.	179/18 EA
4,442,321	4/1984	Stehman	179/18 EB
4,550,404	10/1985	Chedrow et al.	370/110.1
4,588,864	5/1986	Carter et al.	179/99 H
4,607,144	8/1986	Carmon et al.	179/99 H
4,644,528	2/1987	Ahmad et al.	370/58
4,694,487	9/1987	Chang et al.	379/269

OTHER PUBLICATIONS

H. Takeda et al., "Time Division Switching Control System", Review of the Electrical Communication Laboratories, vol. 27, Number 9-10, Sep.-Oct. 1979, pp. 773-782.

G. Becker et al., "Call Processing in a Distributed Control System", ICC '80 Conference Record, vol. 3 of 3, Jun. 8-12, 1980, pp. 46.4.1-46.4.7.

D. Jackson and K. Patfield, "Impacts of Multiprocessing on GTD-5 EAX Call Processing and Operating System", ISS '81 CIC Montreal, Sep. 21-25, 1981, pp. 1-7.

M. Akiyama et al., "Time Division Distributed Switching System", ISS '81 CIC Montreal, Sep. 21-25, 1981, pp. 1-7.

"An Introduction to AT&T System 85", Issue 1, Jan., 1987, pp. 1-81.

Primary Examiner—Jin F. Ng
Assistant Examiner—Wing Fu Chan
Attorney, Agent, or Firm—Ross T. Watland

[57] **ABSTRACT**

A distributed control switching system where calls, to and from a directory number that is shared by a key-system group of terminals, are processed cooperatively by multiple, distributed control units but in response to busy/idle data for the shared directory number stored advantageously by only a lead one of the control units. In addition to processing a call, for example to complete a connection to or from one of the terminals of the group, the multiple control units also cooperate as the call progresses to inform each of the group terminals of the call status as though the terminals were connected in parallel to a central office line as in an electromechanical key system.

24 Claims, 23 Drawing Sheets

CENTRALIA

Deanna R. Meredith was granted United States Patent Number 4,458,907, on Jul. 10, 1984, for "Skateboard."

United States Patent [19]
Meredith

[11] **Patent Number:** **4,458,907**
[45] **Date of Patent:** **Jul. 10, 1984**

[54] **SKATEBOARD**
[76] Inventor: **Deanna R. Meredith**, 320 E. Noleman #4, Centralia, Ill. 62801

[21] Appl. No.: **404,207**

[22] Filed: **Aug. 2, 1982**

[51] Int. Cl.³ **A63C 17/02**

[52] U.S. Cl. **280/87.04 A; 280/87.05; 403/379**

[58] Field of Search 441/68, 74; 403/379; 108/89, 64, 83, 90; 280/11.26, 11.16, 87.04 R, 87.04 A, 87.05, 638, 35, 142

[56] **References Cited**
U.S. PATENT DOCUMENTS

1,310,218	7/1919	Silver	280/87.05
2,190,316	2/1940	Harris	280/11.26
2,933,325	4/1960	Akins	280/35
3,235,282	2/1966	Bostick	280/87.04 A
3,309,098	3/1967	Parker	280/11.26
3,313,510	4/1967	Madaho	108/83 X
3,385,608	5/1968	Waddell	280/87.04 A
3,409,920	11/1968	Brownley	441/74
3,635,854	1/1972	Martin	280/11.26

3,834,722 9/1974 Rainer 280/603
3,993,318 11/1976 Rothmayer 280/11.26

FOREIGN PATENT DOCUMENTS

2448362 10/1980 France 280/11.26

Primary Examiner—Joseph F. Peters, Jr.

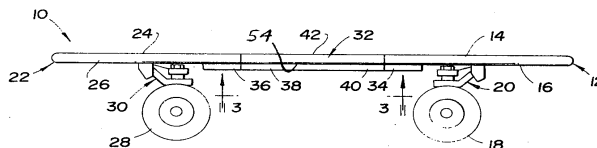
Assistant Examiner—Michael Mar

Attorney, Agent, or Firm—Brooks & Kushman

[57] **ABSTRACT**

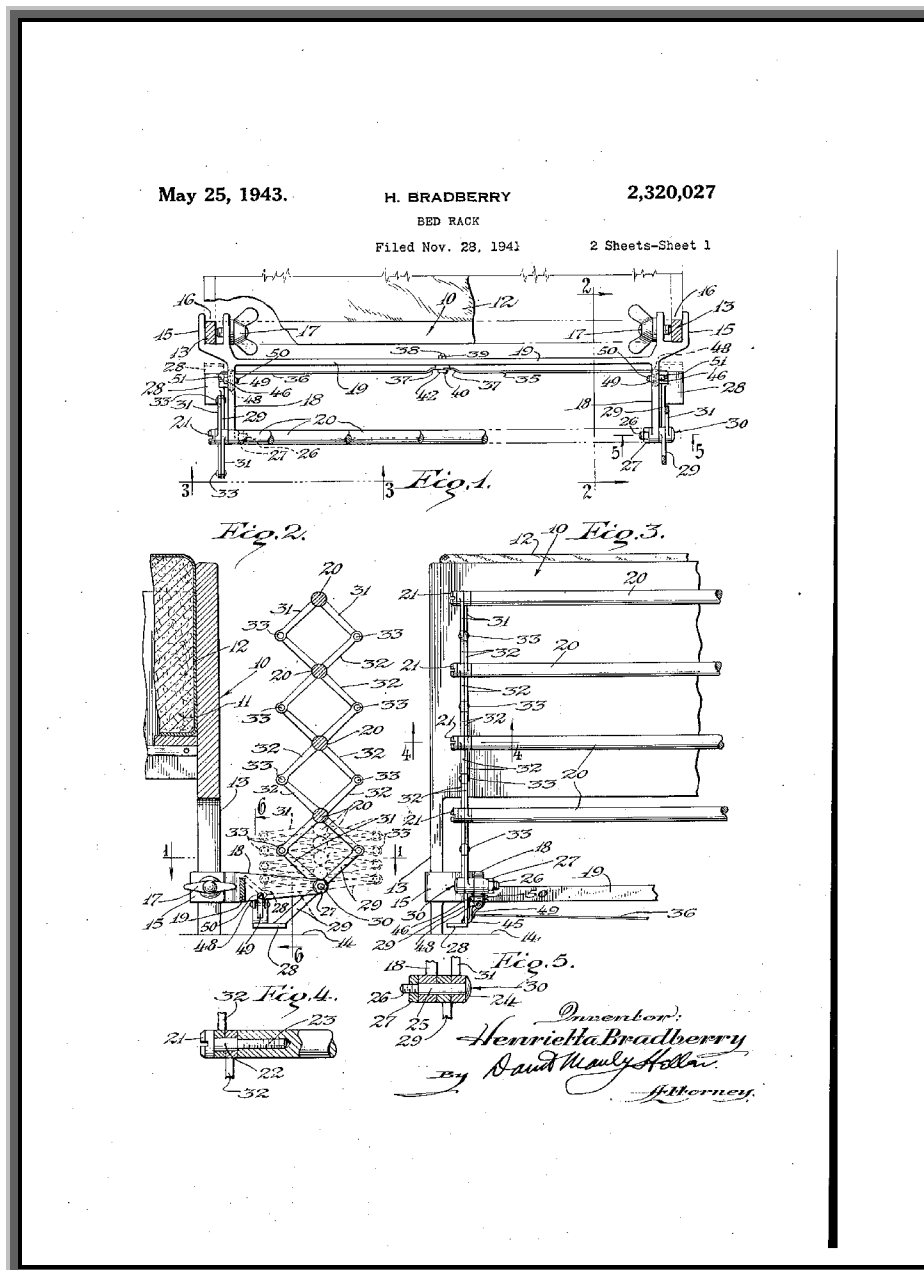
A skateboard (10) having front and rear members (12,22) with associated set of wheels (18,28) and having a removable insert (32) for providing extended or retracted lengths of the skateboard. Connectors (34,36,38,40) which are preferably of the male and female type secure front member (12) directly to the rear member (22) in the retracted length or with the insert (32) therebetween in the extended length. Laterally spaced sets of the connectors (34,36,38,40) are preferably provided and are locked in position by a pair of locking devices (42) in the extended length or by one of the locking devices (42) in the retracted length.

8 Claims, 5 Drawing Figures



CHICAGO

Henrietta Bradberry was granted United States Patent Number 2,320,027, on May 25, 1943, for "Bed Rack."



Henrietta Bradberry was also granted United States Patent Number 2,390,688, on Dec. 11, 1945, for "Torpedo Discharge Means."

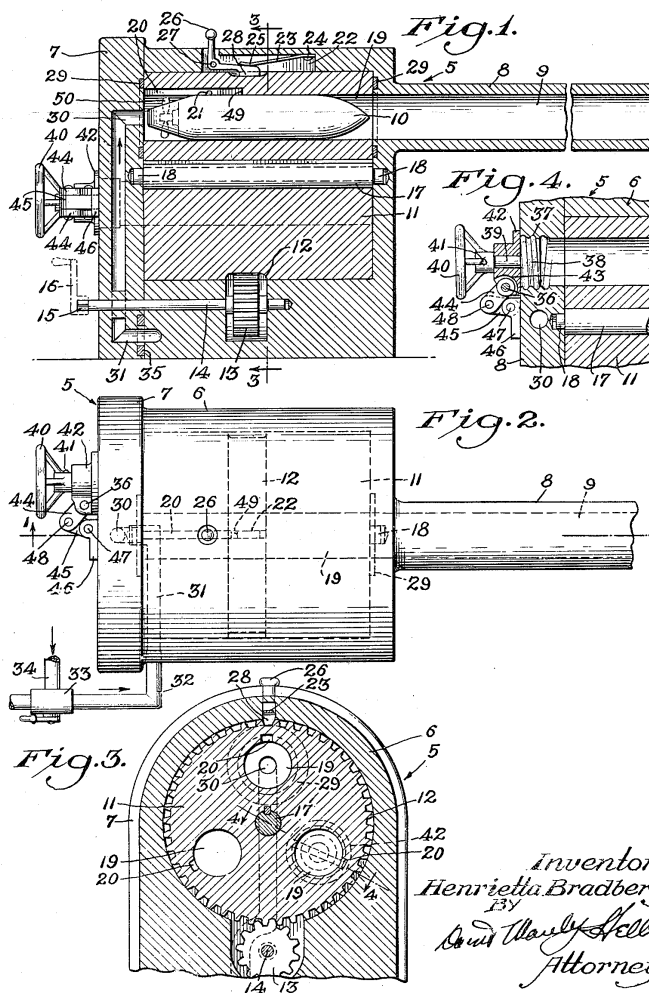
Dec. 11, 1945.

H. BRADBERRY

2,390,688

TORPEDO DISCHARGE MEANS

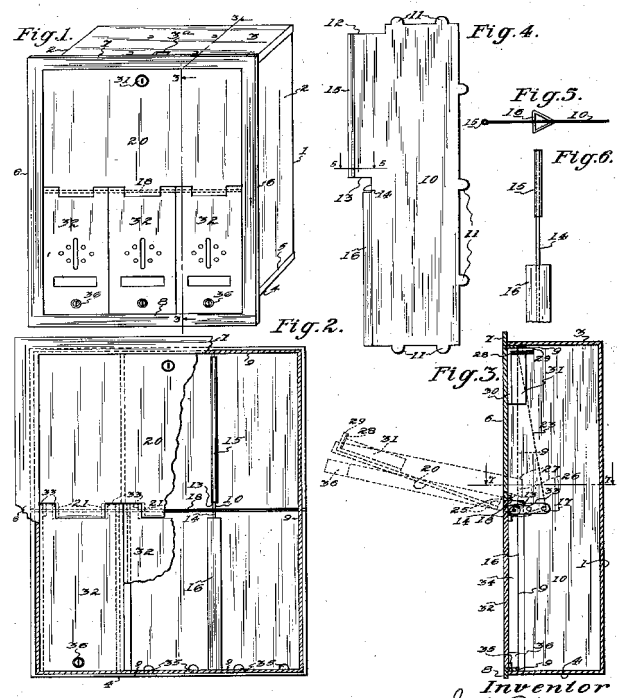
Filed Jan. 8, 1945



Inventor
Henrietta Bradberry
By
David W. H. Stella
Attorney

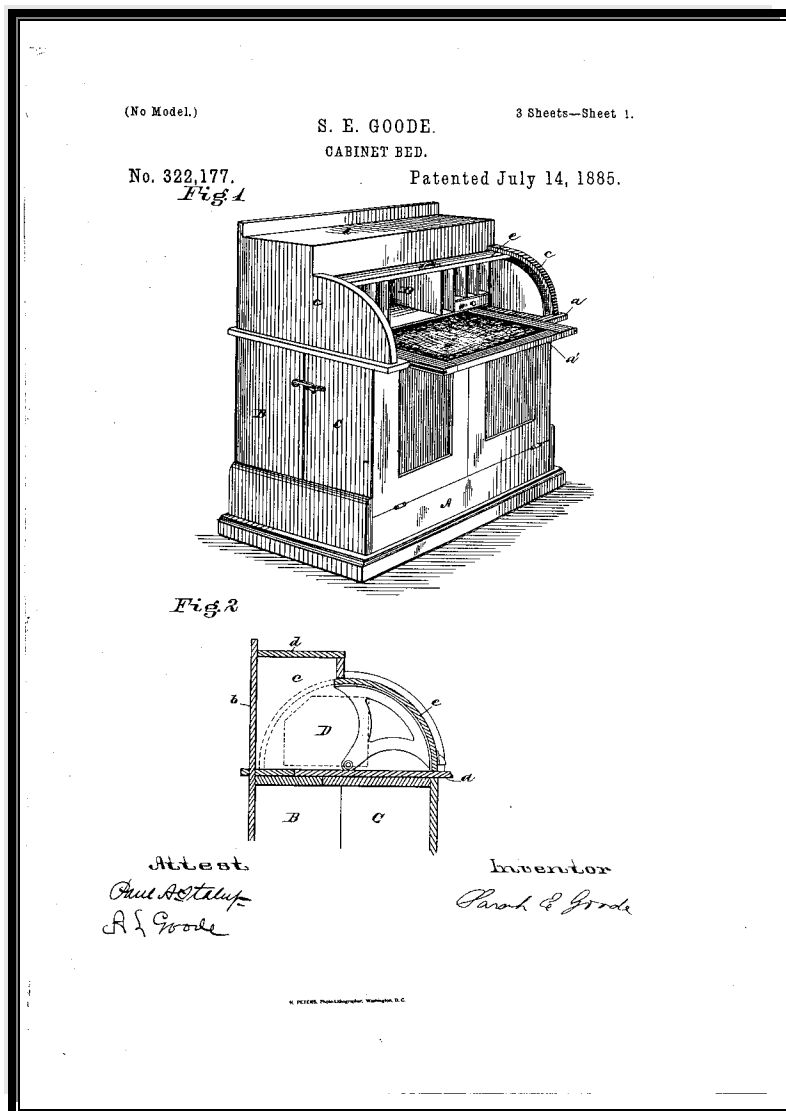
Saulia O. Florence was granted United States Patent Number 2,164,855, on Jul. 4, 1939, for "Mail Box."

July 4, 1939. S. O. FLORENCE 2,164,855
MAIL BOX
Filed Aug. 29, 1937 2 Sheets-Sheet 1



By
Inventor
S. O. Florence
H. J. Dandies
Atty.

Sarah E. Goode was the first African American woman in Illinois to be granted a United States Patent. She was granted United States Patent Number 322,177 on Jul. 14, 1885 for "Cabinet Bed."



Marjorie S. Joyner was granted United States Patent Number 1,693,515, on Nov. 27, 1928, for "Permanent Waving Machine."

Nov. 27, 1928.

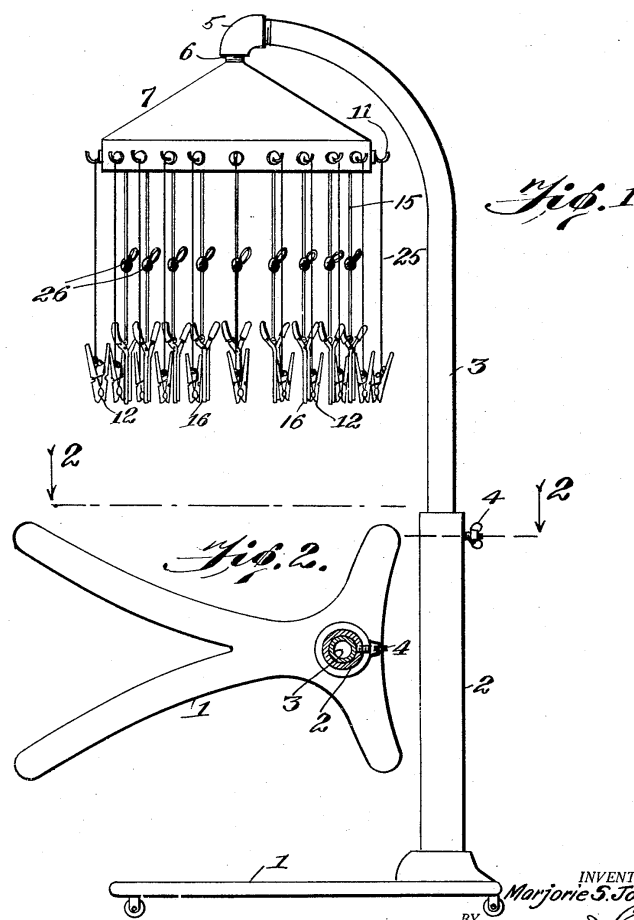
1,693,515

M. S. JOYNER

PERMANENT WAVING MACHINE

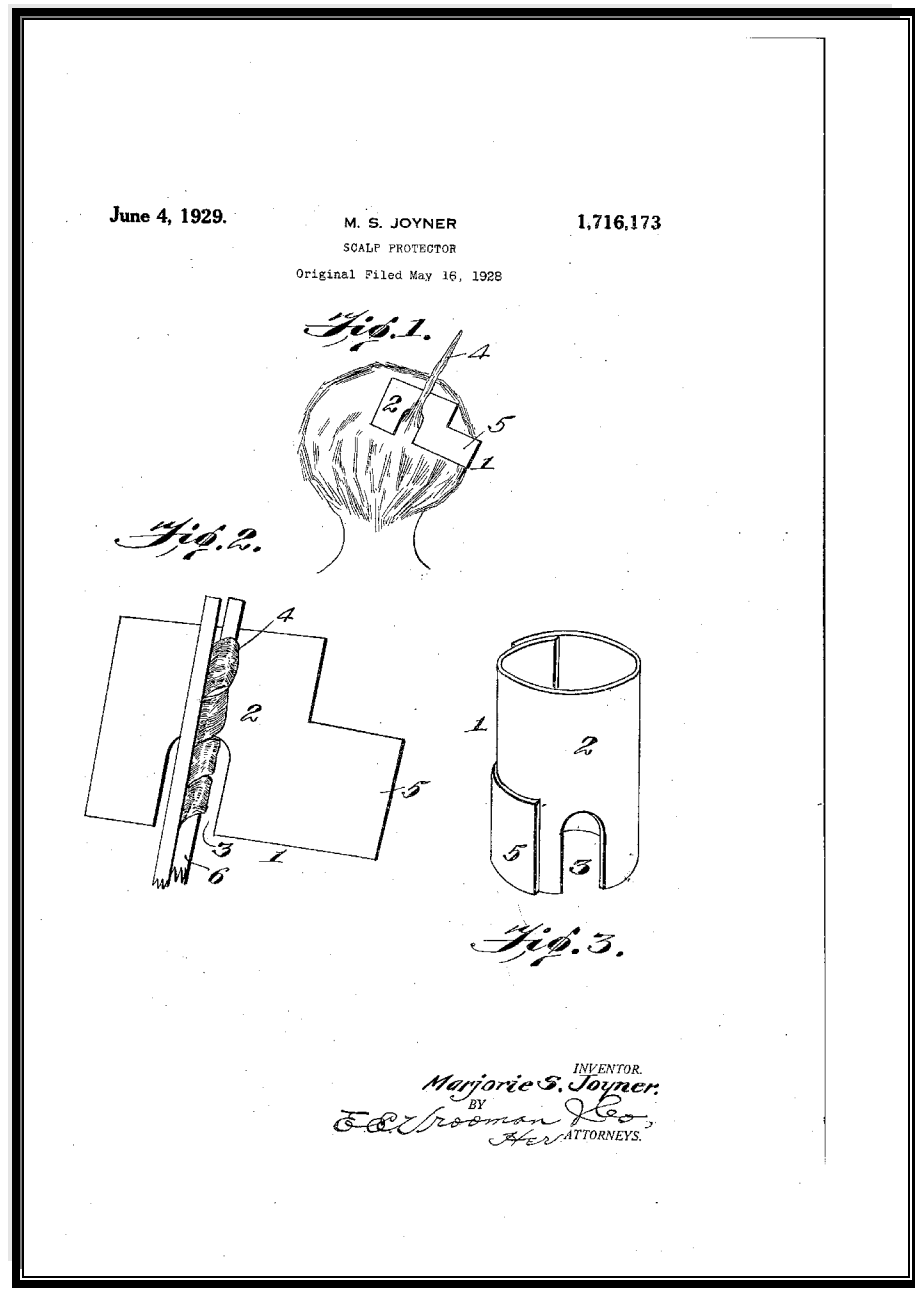
Filed May 16, 1928

3 Sheets-Sheet 1




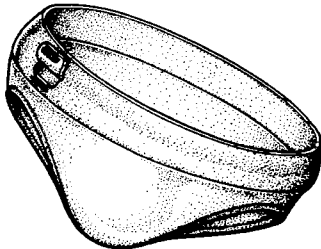
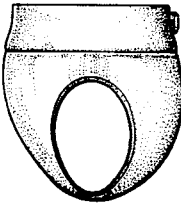
INVENTOR.
Marjorie S. Joyner.
BY
E. S. Spoonman
ATTORNEYS.

Marjorie S. Joyner was also granted United States Patent Number 1,716,173, on Jun. 4, 1929, for "Scalp Protector"



EVANSTON

Brothella Quick was granted United States Design Patent Number D341,470, on November 23, 1993, for Pocketed Underwear.

 US00D341470S																																																																							
United States Patent [19] Quick	[11] Patent Number: Des. 341,470 [45] Date of Patent: ** Nov. 23, 1993																																																																						
<p>[54] POCKETED UNDERWEAR</p> <p>[76] Inventor: Brothella Quick, 606-D S. Boulevard, Evanston, Ill. 60202</p> <p>[**] Term: 14 Years</p> <p>[21] Appl. No.: 574,929</p> <p>[22] Filed: Aug. 30, 1990</p>																																																																							
OTHER PUBLICATIONS Frederick's of Hollywood: p. 62 "money pouch" lower row; centre. <i>Primary Examiner</i> —A. Hugo Word <i>Assistant Examiner</i> —Celia Murphy <i>Attorney, Agent, or Firm</i> —Richard C. Litman																																																																							
CLAIM [57] The ornamental design for pocketed underwear, as shown and described.																																																																							
DESCRIPTION FIG. 1 is a front perspective view of my new design for pocketed underwear; FIG. 2 is a front elevational view thereof; FIG. 3 is a right side elevational view thereof; FIG. 4 is a left side elevational view thereof; FIG. 5 is a top plan view thereof; FIG. 6 is a bottom plan view thereof; FIG. 7 is a rear elevational view thereof; FIG. 8 is a front perspective view of an alternate embodiment of the design shown in FIG. 1; FIG. 9 is a front elevational view of the embodiment of FIG. 8; FIG. 10 is a left side elevational view of FIG. 8; FIG. 11 is a right side elevational view of FIG. 8; FIG. 12 is a top plan view of the embodiment of FIG. 8; and, FIG. 13 is a bottom plan view of the embodiment of FIG. 8. The rear elevational view of the second embodiment of FIGS. 8 through 13 is identical to the rear elevational view of the first embodiment shown in FIG. 7. The pocket flap is shown in an open position in each of the figures where the pocket is disclosed.																																																																							
<p style="text-align: center;">Related U.S. Application Data</p> <p>[63] Continuation-in-part of Ser. No. 471,961, Jan. 23, 1990.</p> <p>[52] U.S. Cl. D2/11; D2/10; D2/42; D24/126</p> <p>[58] Field of Search D2/1, 2, 4, 5, 6, 7, D2/10, 11, 13, 28, 42; 2/67, 80, 400, 401, 402, 403, 406; 450/15, 16, 22, 23, 25, 155</p>																																																																							
<p>[56] References Cited</p> <p style="text-align: center;">U.S. PATENT DOCUMENTS</p> <table border="0"> <tr><td>D. 116,817</td><td>9/1939</td><td>Dietz</td><td>.....</td><td>D2/11</td></tr> <tr><td>D. 283,077</td><td>3/1986</td><td>Crandall</td><td>.....</td><td>D2/42</td></tr> <tr><td>887,479</td><td>5/1908</td><td>Jones</td><td>.....</td><td>2/247</td></tr> <tr><td>1,780,874</td><td>11/1930</td><td>Friedmann</td><td>.....</td><td>2/247</td></tr> <tr><td>2,282,545</td><td>5/1942</td><td>Rosenstein</td><td>.....</td><td>2/247</td></tr> <tr><td>2,822,807</td><td>2/1958</td><td>Heyman</td><td>.....</td><td>D2/10</td></tr> <tr><td>4,446,575</td><td>5/1984</td><td>Davis</td><td>.....</td><td>D2/10</td></tr> <tr><td>4,532,656</td><td>8/1985</td><td>Suzuki</td><td>.....</td><td>2/247</td></tr> <tr><td>4,533,355</td><td>8/1985</td><td>Fair</td><td>.....</td><td>D2/10</td></tr> <tr><td>4,930,161</td><td>6/1990</td><td>Cohen</td><td>.....</td><td>2/DIG. 7</td></tr> <tr><td>5,067,178</td><td>11/1991</td><td>Katetika</td><td>.....</td><td>2/247</td></tr> <tr><td>5,070,869</td><td>10/1991</td><td>Zhang</td><td>.....</td><td>2/403</td></tr> <tr><td>5,093,935</td><td>3/1992</td><td>Counce, Jr.</td><td>.....</td><td>2/403</td></tr> </table> <p style="text-align: center;">FOREIGN PATENT DOCUMENTS</p> <table border="0"> <tr><td>0310486</td><td>10/1955</td><td>Switzerland</td><td>.....</td><td>D2/10</td></tr> </table>		D. 116,817	9/1939	Dietz	D2/11	D. 283,077	3/1986	Crandall	D2/42	887,479	5/1908	Jones	2/247	1,780,874	11/1930	Friedmann	2/247	2,282,545	5/1942	Rosenstein	2/247	2,822,807	2/1958	Heyman	D2/10	4,446,575	5/1984	Davis	D2/10	4,532,656	8/1985	Suzuki	2/247	4,533,355	8/1985	Fair	D2/10	4,930,161	6/1990	Cohen	2/DIG. 7	5,067,178	11/1991	Katetika	2/247	5,070,869	10/1991	Zhang	2/403	5,093,935	3/1992	Counce, Jr.	2/403	0310486	10/1955	Switzerland	D2/10
D. 116,817	9/1939	Dietz	D2/11																																																																			
D. 283,077	3/1986	Crandall	D2/42																																																																			
887,479	5/1908	Jones	2/247																																																																			
1,780,874	11/1930	Friedmann	2/247																																																																			
2,282,545	5/1942	Rosenstein	2/247																																																																			
2,822,807	2/1958	Heyman	D2/10																																																																			
4,446,575	5/1984	Davis	D2/10																																																																			
4,532,656	8/1985	Suzuki	2/247																																																																			
4,533,355	8/1985	Fair	D2/10																																																																			
4,930,161	6/1990	Cohen	2/DIG. 7																																																																			
5,067,178	11/1991	Katetika	2/247																																																																			
5,070,869	10/1991	Zhang	2/403																																																																			
5,093,935	3/1992	Counce, Jr.	2/403																																																																			
0310486	10/1955	Switzerland	D2/10																																																																			
 																																																																							

LEBANON

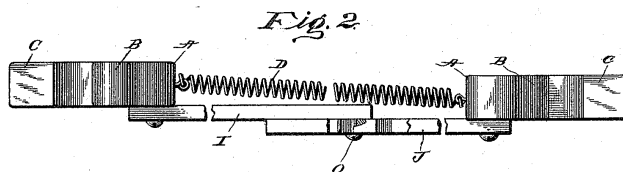
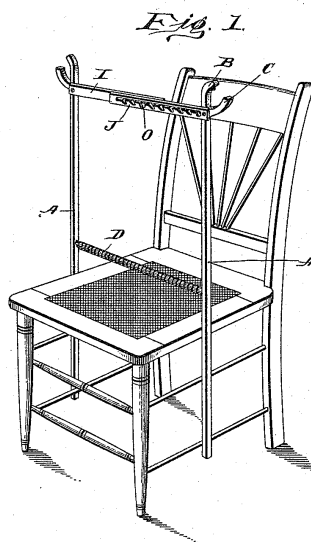
Julia T. Hammonds was granted united States Patent Number 572,985, on Dec. 15, 1896, for "Apparatus for Holding Yarn Skeins."

(No Model.)

J. T. HAMMONDS.
APPARATUS FOR HOLDING YARN SKEINS.

No. 572,985.

Patented Dec. 15, 1896.



WITNESSES:
[Signature]
[Signature]

INVENTOR
Julia Terry Hammonds
BY
Hemanth Bondar Robinson
ATTORNEYS.

SPRINGFIELD

Fonda Evans was granted United States Design Patent Number D499,857, on Dec. 21, 2004, for "T-shirt with Removable Sleeves Convertible to a Hat."



US00D499857S

(12) **United States Design Patent** (10) **Patent No.:** **US D499,857 S**
Evans (45) **Date of Patent:** **** Dec. 21, 2004**

(54) **T-SHIRT WITH REMOVABLE SLEEVES CONVERTIBLE TO A HAT** 6,360,372 B2 * 3/2002 Oster 2/126
 D479,033 S * 9/2003 Bowden D2/717

(76) **Inventor:** **Fonda D Evans**, 1709 S. Grand Ave.,
 Springfield, IL (US) 62703

* cited by examiner

(**) **Term:** **14 Years**

Primary Examiner—Louis S. Zarfás
Assistant Examiner—Deanne Levy

(21) **Appl. No.:** **29/166,490**

(57) **CLAIM**

(22) **Filed:** **Aug. 29, 2002**

I claim, the ornamental design for a T-shirt with removable sleeves convertible to a hat, as shown.

(51) **LOC (7) Cl.** **02-01**

DESCRIPTION

(52) **U.S. Cl.** **D2/717; D2/50**

(58) **Field of Search** **D2/717, 811, 865, D2/866, 868, 869, 889, 50; 2/59, 97, 125, 912, 209.11, 290.13, 63, 195.8, 200.1**

(56) **References Cited**

U.S. PATENT DOCUMENTS

- 1,796,689 A * 3/1931 Grumbach 2/209.11
- 2,122,873 A * 7/1938 Shuster 2/126
- 3,237,210 A * 3/1966 Graber 2/209.11
- D246,942 S * 1/1978 Popiela D2/717
- 4,261,059 A * 4/1981 Spitz 2/126
- 5,652,961 A * 8/1997 Knight-Yurt 2/114
- 6,055,751 A * 5/2000 Easthope D2/717

FIG. 1 is a front view of a t-shirt with removable sleeves convertible to a hat showing my new design;
 FIG. 2 is an exploded view of a portion of the left side of the t-shirt of FIG. 1, wherein the sleeve is removed and the opposite side is a mirror-image thereof;
 FIG. 3 is an enlarged view of the sleeve removed from the body of the t-shirt of FIG. 1; and,
 FIG. 4 is an enlarged perspective view of the sleeve of FIG. 3 worn as a hat on a person.

The body of the t-shirt in FIG. 2 is shown broken away for ease of illustration.

1 Claim, 4 Drawing Sheets



WAUKEGAN

Evelyn C. Nicol was granted Patent Number 3,930,944, on Jan. 6, 1976 for "Urokinase production."

United States Patent [19]		[11] 3,930,944
Nicol		[45] Jan. 6, 1976
<hr/>		
[54] UROKINASE PRODUCTION	[56] References Cited	
[75] Inventor: Evelyn Carmon Nicol, Waukegan, Ill.	OTHER PUBLICATIONS	
[73] Assignee: Abbott Laboratories, North Chicago, Ill.	Bernik et al., <i>Journal of Clinical Investigation</i> , Vol. 52, pp. 823-834, Apr. 1973.	
[22] Filed: Mar. 31, 1975	<i>Chemical Abstracts</i> , Vol. 77, 136739v, (1972).	
[21] Appl. No.: 563,948	<i>Primary Examiner</i> —Lionel M. Shapiro <i>Attorney, Agent, or Firm</i> —Paul D. Burgauer; Robert L. Niblack	
[52] U.S. Cl. 195/1.7	[57] ABSTRACT	
[51] Int. Cl.² C12K 9/00; C07G 7/026	The addition of specified amounts of pronase to the production medium for urokinase using live cells increases the production of urokinase by 50 - 100%.	
[58] Field of Search 195/65, 66 B, 2.4, 1.7, 195/1.8	2 Claims, No Drawings	

Alphabetical Index

Bradberry, Henrietta
 Evans, Fonda
 Florence, Saulia O.
 Goode, Sarah E.
 Hammonds, Julia T.
 Joyner, Marjorie S.
 Meredith, Deanna R.
 Nicol, Evelyn C.
 Owens, Annetta T.
 Quick, Brothella

Chronological Index

Jul. 14, 1885	Sarah E. Goode
Dec. 15, 1896	Julia T. Hammonds
Nov. 27, 1928	Marjorie S. Joyner
Jun. 4, 1929	Marjorie S. Joyner
Jul. 4, 1939	Saulia O. Florence
May 25, 1943	Henrietta Bradberry
Dec. 11, 1945	Henrietta Bradberry
Jan. 6, 1976	Evelyn C. Nicol
Jul. 10, 1984	Deanna R. Meredith
Dec. 13, 1988	Annetta T. Owens
Nov. 23, 1993	Brothella Quick
Dec. 21, 2004	Fonda Evans

Endnotes

To see these patents go to: <http://www.uspto.gov/patft/index.html> or <http://www.google.com/patents> and search under the inventor or the patent number.

Sources

Baker, Henry E. The Colored Inventor. Salem, NH: Ayer Company Publisher, 1913, Reprints Edition 1992.

Brown, Mitchell C. African American Women Inventors: Historical: The Faces of Science: African American in the Sciences.
http://www.princeton.edu/~mcbrown/display/women_inventors.html. 1995-2000.

Diggs, Irene. Black Innovators. Chicago, IL: Institute of Positive Education, 1975.

Inventions and Patents of African-Americans - 20th Century. St. Louis: St. Louis Public Library, <http://www.slpl.lib.mo.us/libsrc/inv20.htm> Prepared by Velma L. Martin, Librarian. St. Louis Public Library, December, 1996 (accessed January 24, 2007)

Mapp, Shannon H. Black Miracles; the Miracles of Black Inventors and scientists. Asheville, NC: Purpose Publishing, 1998.

Sluby, Patricia Carter. The Inventive Spirit of African Americans: Patented Ingenuity. Westport, CT: Praeger, 2004.

Margaret J. Collins
Library Program Specialist
Patent and Trademark Depository Library
Illinois State Library
Gwendolyn Brooks Building
300 South Second Street
Springfield, IL 62701
217-782-5659
217-782-8432
Mcollins@ilsos.net

Jesse White
Illinois Secretary of State and State Librarian
7/7/2009 11:20:25 AM